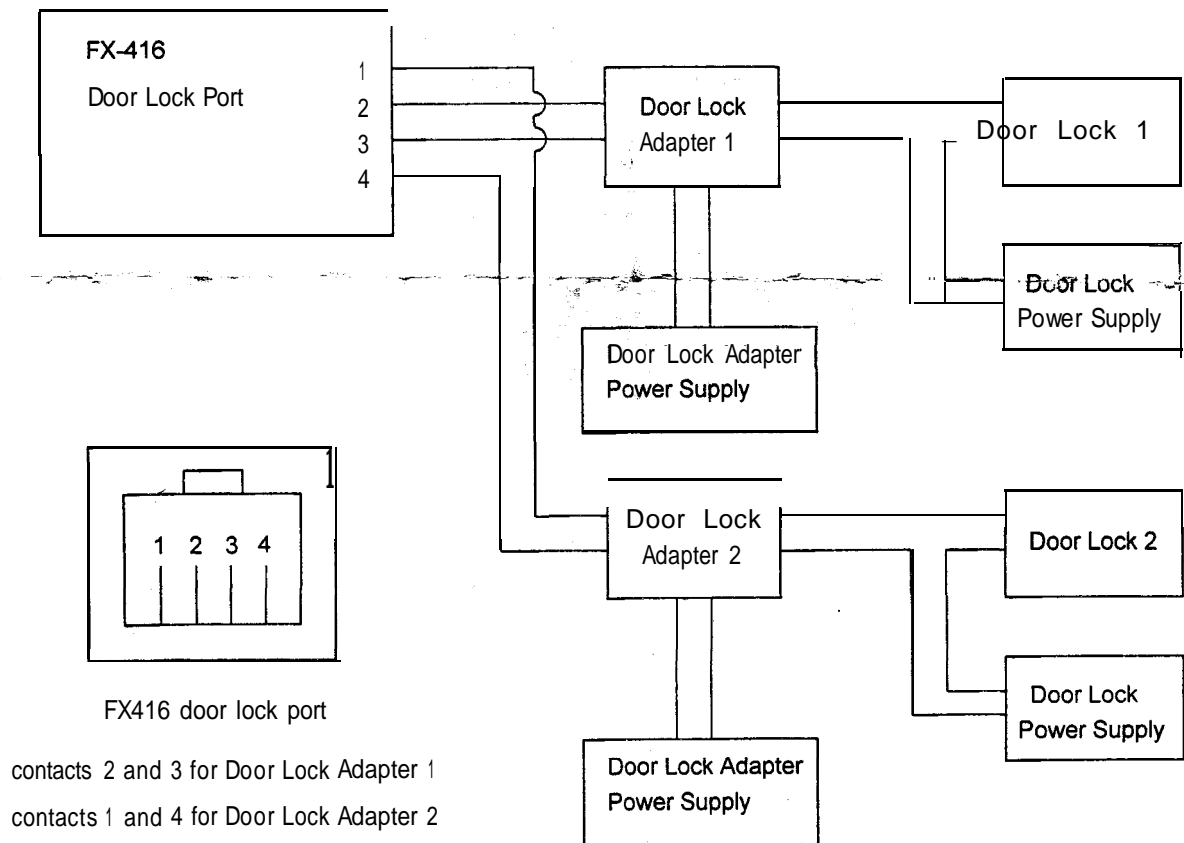


Door Lock Adapter Wiring Instruction

1. Use a telephone cable to connect the FX-416 Door Lock Port contact 2 and 3 to the Door Lock Adapter, IN1 and IN2. No polarity.
2. Connect a 12V DC or AC power supply to the Door Lock Adapter, contacts PWR1 and PWR2. No polarity.
3. Use the dry contacts COM, NC or NO to control the door lock. COM is the common contact, NC is the normally closed contact and the NO is the normally open contact
4. If the Door lock 2 is to be used, first, use a regular telephone splitter to expend the 4-wire FX-416 door lock port into two 2-wire ports. One 2-wire port is for Door lock 1 and another is for Door lock 2. Connect the FX-416 Door Lock Port contact 1 and 4 to another Door Lock Adapter. The wiring is same as the one for the first Door Lock Adapter.



- Note:
1. Electric Door Strike/Door Opener is required to work with the Door Lock Adapter for controlling the door access electrically.
 2. If the Door Lock is supplied by 12V DC or AC power, then the Door Lock Adapters can use the Door Lock's Power Supply as its power source.
 3. The power consumption of the adapter is less than 50mA at 12V and the dry contact ratings are 30VDC/2A or 125VAC/0.5A.